

UV CAN

UV1A Datasheet

UV1A is a microcontroller based hydraulic valve controller with a rugged aluminum enclosure specifically designed for automotive vehicle control systems. **UV1A** has multiple different PCB layouts with different kinds of inputs and outputs that make it perfect controller for almost any kind of vehicle.

As all other Usevolt controllers, the **UV1A** can be configured via CAN-bus with **UVOD** touchscreen display.

- Storage temperature range -30 ... +80 °C
- CAN 2.0B interface
- Durable aluminum enclosure
- Designed for 12V and 24V operation
- Up to 18 proportional current controller PWM outputs
- Configurable via UVOD touchscreen display



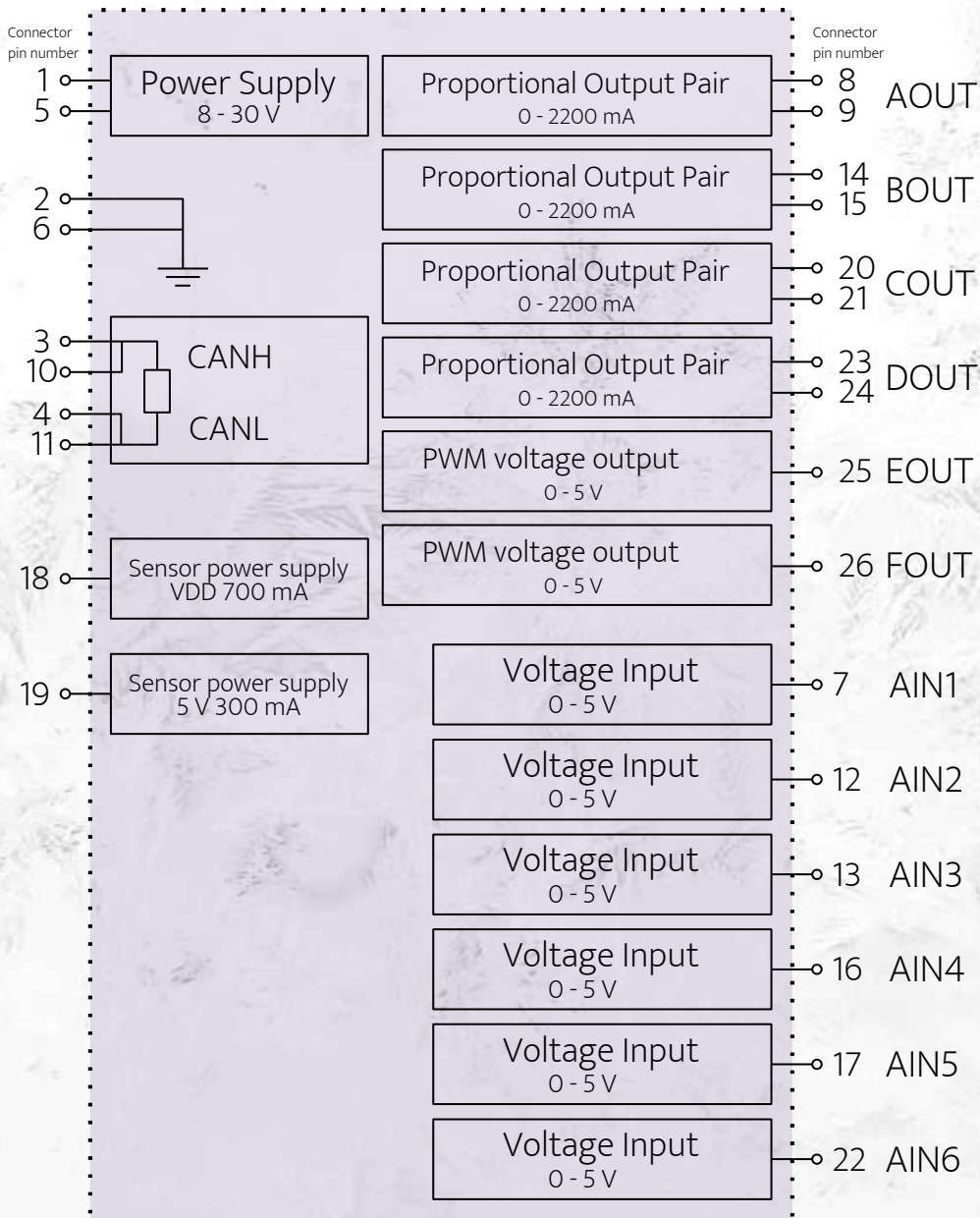
Technical Specifications

Voltage	8 - 30 VDC
Protection	Over voltage & Reverse voltage External 20 A fuse required
Weight	480 g
Current Consumption	Logic 40 mA, outputs up to 20 A
Connector	Superseal 3-1437290-8 Golden contacts 3-1447221-4
Interface	1 x CAN-bus 2.0B
Material	Aluminum
Configuring	Via UVOD display
IP-rating	IP67
Microcontroller	32-bit ARM Cortex-M3
Memory	256 KB Application flash memory 36 kB RAM memory
Outputs	Up to 16 x proportional high-side PWM output with current sense or up to 16 ratiometric reference voltage outputs
Output max current	2200 mA / 0 - 80 % U_{dc}
Inputs	Up to 6 analog voltage inputs 0 ... 5 V

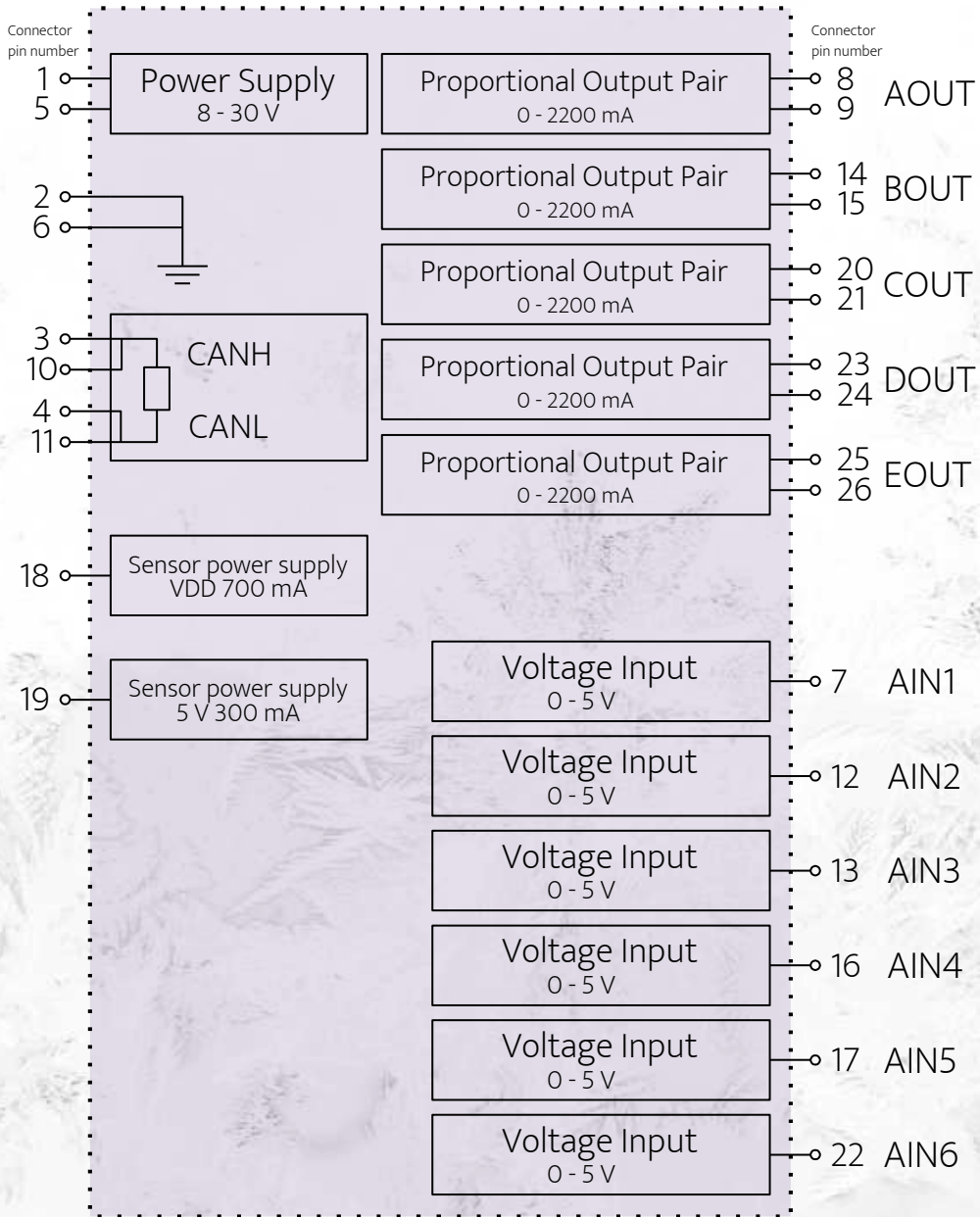
System Diagram

UV1A hydraulic controller has multiple different versions with different inputs & outputs and pin outs. Make sure to refer to the correct system diagram.

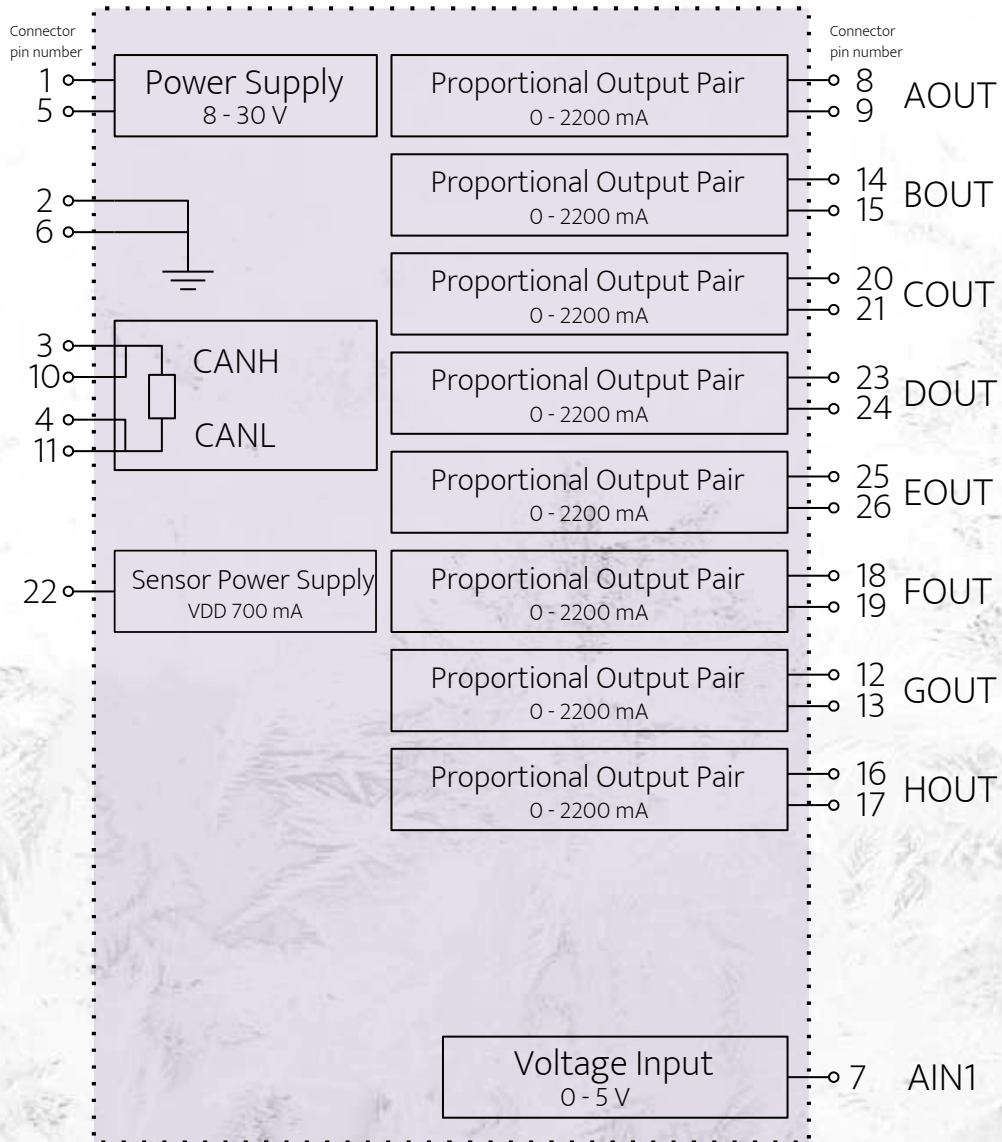
UV1A1



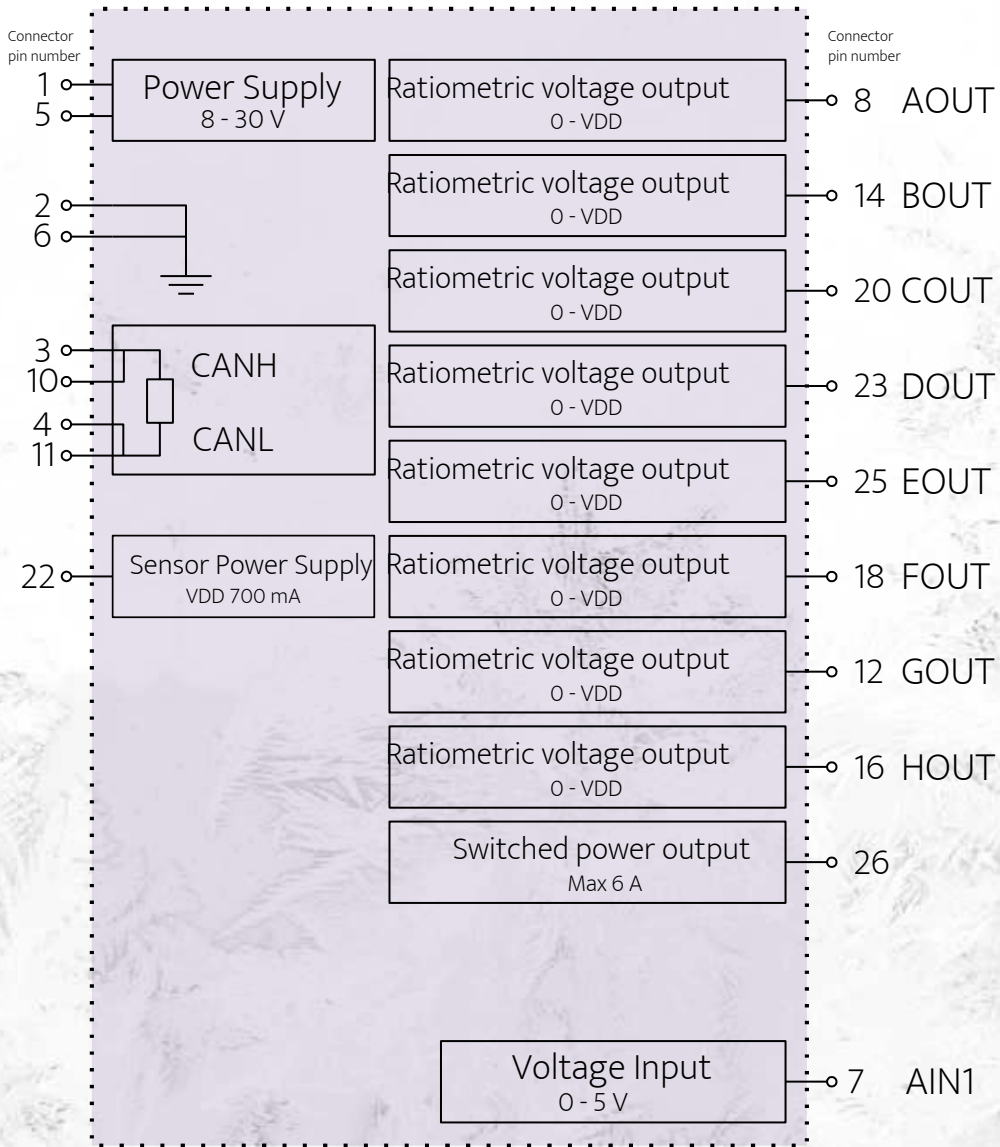
UV1A2



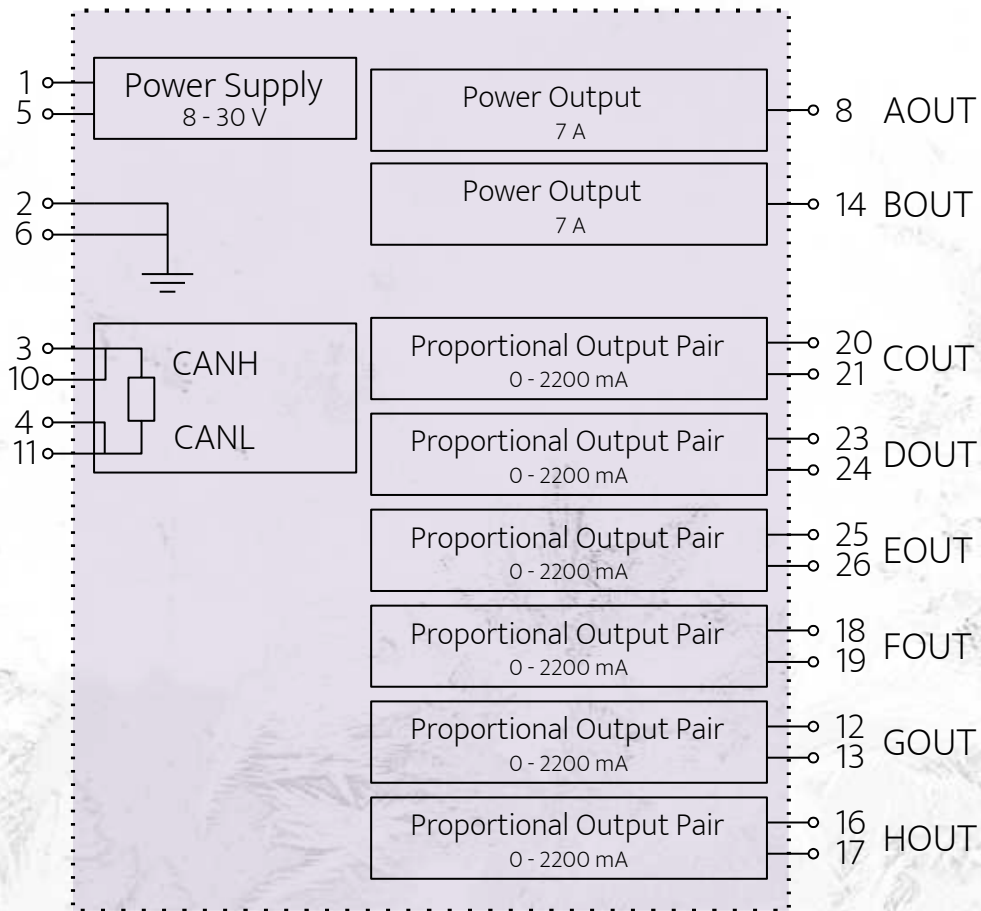
UV1A3



UV1A4



UV1A5



Physical Dimensions

